

MAXI™ Blade Fuse Rated 58V

RoHS



Specifications


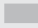







Voltage rating:	42 VDC
Interrupting Ratings:	1000A @ 58 VDC
Operating Temperature Range:	-40°C to +125°C

- Same performance characteristics as the industry standard MAXI, but modified to work in the 42V environment
- Rejection feature prevents lower rated fuses from being wrongfully inserted into the circuit
- Backwards compatibility with 12V circuits
- Based on proven technology
- Mates with industry standard terminals

- Gleiche Performance-Eigenschaften wie Standard-MAXI-Sicherung, jedoch für Betrieb in 42V Systemen modifiziert
- Sperrfunktion verhindert versehentliche Verwendung von Sicherungen mit niedrigerer Nennspannung
- Abwärtskompatibel mit 12V Schaltkreisen
- Bewährte Technologie
- Für Anschlüsse nach Industriestandard ausgelegt

Time-Current Characteristics / Schmelzeit-Grenzwerte

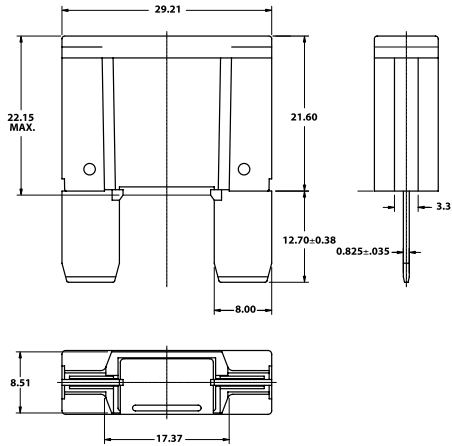
% of Rating % des Nennstromes	Opening Time Min / Max (s) / Schmelzcharakteristik Min / Max (s)								
	20A	25A	30A	35A	40A	50A	60A	70A	80A
135	1800	1800	1800	1800	1800	1800	1800	3600	3600
	60	60	60	60	60	60	60	60	60
200	20	30	30	40	40	50	60	60	60
	4	4	6	6	8	10	15	4	4
350	2	4	4	5	5	6	7	2	2
	0.7	0.7	1	1	1.4	1.7	2	0.20	0.20
600	1	1	1	1	1	1	1	1	1
	0.15	0.15	0.20	0.20	0.20	0.20	0.20	.1	.1

Part Number Artikel-Nr.	Current Rating Nennstrom	Housing Color Kennfarbe	Typ. Voltage Drop Typ. Spannungsfall	Cold Resistance Kaltwiderstand	I ² t
0999020_	20 A		76 mV	3.10 mΩ	1100 A²s
0999025_	25 A		75 mV	2.39 mΩ	2087 A²s
0999030_	30 A		77 mV	1.95 mΩ	4070 A²s
0999035_	35 A		75 mV	1.71 mΩ	6032 A²s
0999040_	40 A		75 mV	1.42 mΩ	8450 A²s
0999050_	50 A		70 mV	1.10 mΩ	11300 A²s
0999060_	60 A		66 mV	0.89 mΩ	15300 A²s
0999070_	70 A		61 mV	0.64 mΩ	6900 A²s
0999080_	80 A		62 mV	0.54 mΩ	8800 A²s

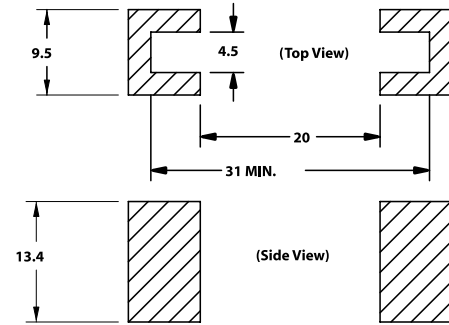
Last figure of part number = packaging code, see Section "Packaging Index," pg. 157.
Corresponding holder see Section "Fuse Holders."

MAXI™ Blade Fuse Rated 58V

Dimensions in mm / Maße in mm



Recommended Mating Cavity



MAXI Fuse Temperature Rerating Curve

