

Surface Mount Fuses

Subminiature Surface Mount

RoHS NANO²® 250V UMF FUSE Fast-Acting 464 Series



- The Surface Mount Nano² 250V UMF product family complies with IEC Publication IEC 60127-4-Universal Modular Fuse-Links [UMF]. This IEC standard has been accepted by UL/CSA making it the first global fuse standard.
- The Nano² 250V UMF fuse family is based on the proven NANO² Fuse product technology.
- Product is **RoHS Compliant** and compatible with lead-free solders and higher temperature profiles.

ELECTRICAL CHARACTERISTICS:

| % of Ampere Rating | Opening Time |
|--------------------|---|
| 125% | 1 hour, Minimum |
| 200% | 2 minutes, Maximum |
| 1000% | 0.001 sec, Min ; 0.01 sec Max |

AGENCY APPROVALS: Listed to IEC 60127-4, Universal Modular Fuse-Links (UMF), 250V. UL Listed. Approved by METI.

AGENCY FILE NUMBERS: UL E184655. METI NBK30502-E184655a,b.

INTERRUPTING RATINGS: 100 amperes at 250VAC

ENVIRONMENTAL SPECIFICATIONS:

Operating Temperature: -55°C to 125°C.

Shock: MIL-STD-202, Method 213, Test Condition A.

Vibration: MIL-STD-202, Method 201 (10–55 Hz).

Insulation Resistance (After Opening): IEC60127-4 (0.1MΩ min @ 500VDC).

Resistance to Soldering Heat: IEC60127-4.

Thermal Shock: MIL-STD-202, Method 107, Test Condition B (-65 to 125°C, 5 cycles).

Moisture Resistance: MIL-STD-202, Method 106

PHYSICAL SPECIFICATIONS:

Materials: Body: High Performance Ceramic
Terminations: Silver plated brass.

Soldering Parameters:

Wave Solder — 260°C, 10 seconds maximum

Reflow Solder — 260°C, 30 seconds maximum

Solderability: IEC60127-4.

PACKAGING SPECIFICATIONS: 24mm Tape and Reel per EIA-RS481-1 (IEC 286, part 3); 1,500 per reel, add packaging suffix, DR.

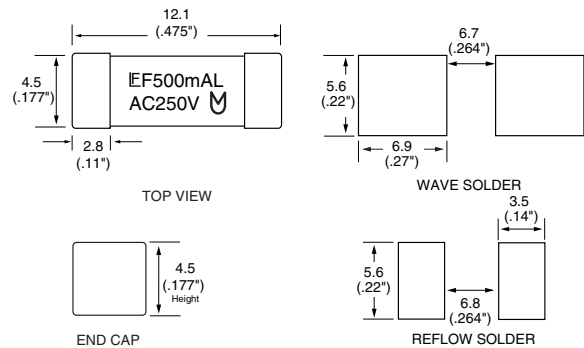
PATENTED

ORDERING INFORMATION:

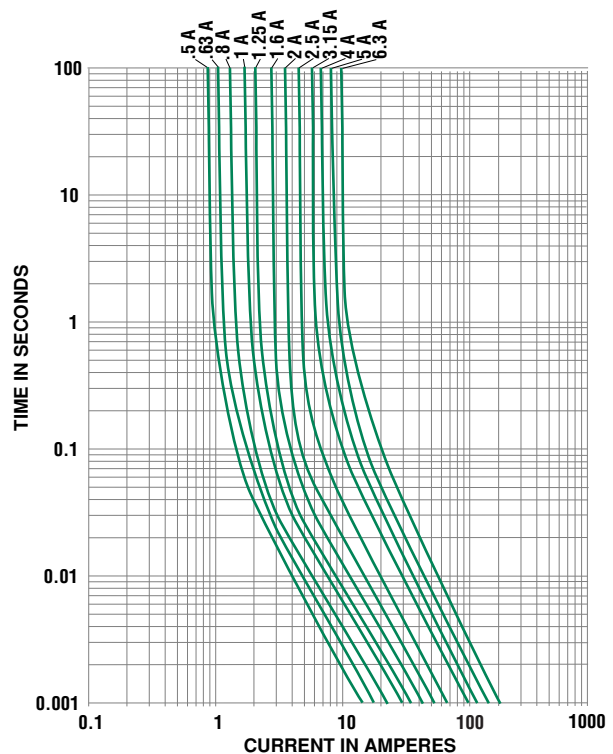
| Catalog Number | Ampere Rating | Voltage Rating | Nominal Cold Resistance (Ohms) | Nominal Melting I ² t (A ² sec) |
|----------------|---------------|----------------|--------------------------------|---|
| 0464.500 | 0.5 | 250 | 0.2373 | 0.3 |
| 0464 001. | 1.0 | 250 | 0.0762 | 0.8 |
| 0464 1.25 | 1.25 | 250 | 0.0580 | 1.2 |
| 0464 01.6 | 1.6 | 250 | 0.0448 | 1.9 |
| 0464 002. | 2.0 | 250 | 0.0354 | 2.8 |
| 0464 02.5 | 2.5 | 250 | 0.0288 | 4.5 |
| 0464 3.15 | 3.15 | 250 | 0.0206 | 9.4 |
| 0464 004. | 4.0 | 250 | 0.0156 | 15.1 |
| 0464 005. | 5.0 | 250 | 0.0119 | 23.1 |
| 0464 06.3 | 6.3 | 250 | 0.0093 | 40.0 |



Reference Dimensions:



Average Time Current Curves



*For information and availability of additional ratings please contact Littelfuse