

» Features

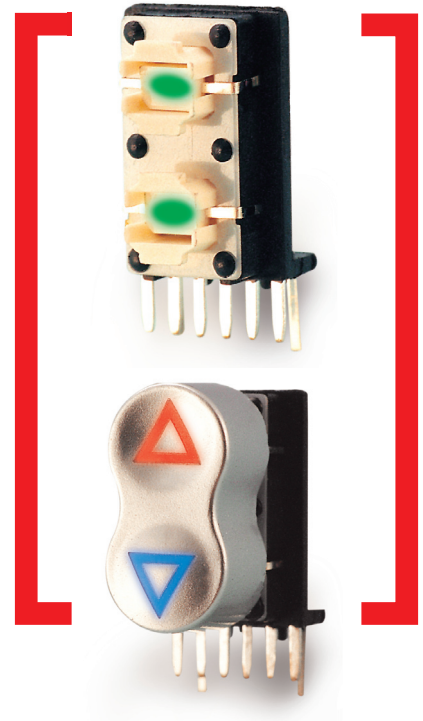
- Snap-in type, can be mounted directly on P.C.B Board.
- Parts of output terminals can be used as jumper lead, facilitating circuit design.
- Many LED lights are available.

» Applications

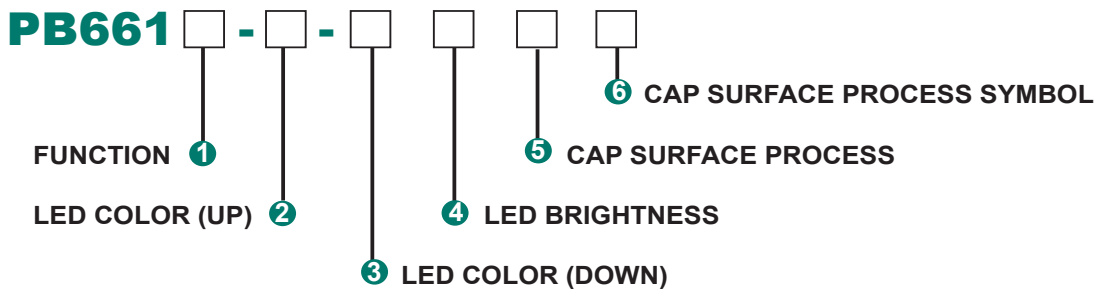
- Operating switches in all types of electronic equipment such as audio apparatus, office equipment, communications apparatus, TV sets, VCRs, etc.

» Specifications

Rating	50mA 12VDC
Insulation Resistance	100MΩ Min (at 250 VDC)
Dielectric Strength	AC 250V (50/60 Hz for 1 minute)
Contact Resistance	100mΩ Max. (Initial)
Electrically Life	300,000 Cycles Min
Ambient Temperature	-25°C~ +70°C
Operating Force	160 ± 50gf



» Product selection



① FUNCTION

-	Non-illuminated
L	Illuminated

② LED COLOR (UP) ③ LED COLOR (DOWN)

1	Red
2	Yellow
3	Green
4	Blue
5	White
6	Pure Green
12	Red / Yellow
13	Red / Green
23	Yellow / Green

ILLUMINATED

TACT SWITCHES

4 LED BRIGHTNESS

-	Standard
C	Customization

5 CAP SURFACE PROCESS

1	Misty Silver
2	Bright Silver
3	Gold

» LED Specifications

Color	VR	IF	Recommended Operating Current	VF	
				Nom	Max
Red	DC 5V	20mA	20mA	1.7V	2.4V
Green	DC 5V	20mA	20mA	1.9V	2.4V
Yellow	DC 5V	20mA	20mA	1.9V	2.4V
Blue	DC 5V	20mA	20mA	3.0V	3.6V
White	DC 5V	20mA	20mA	3.0V	3.6V

6 CAP SURFACE PROCESS SYMBOL



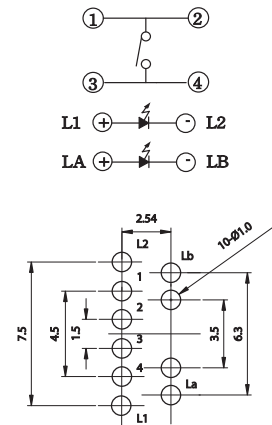
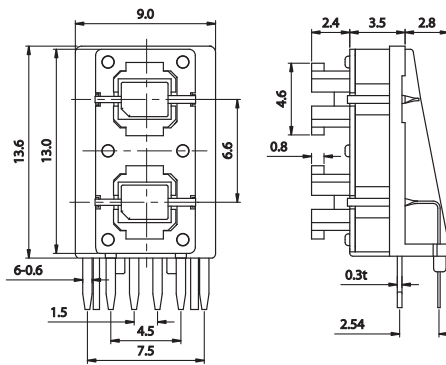
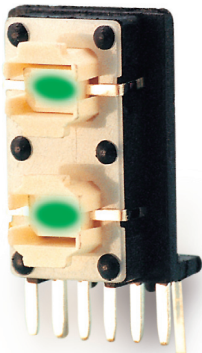
» Operating characteristics

Unit: mm

Dimensions

Circuit P.C.B Layout

TP661L



PB661L-1-4 □ -112

